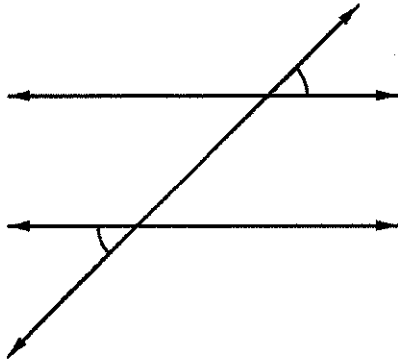


Geometry
3.3 – Proving Lines Parallel Worksheet

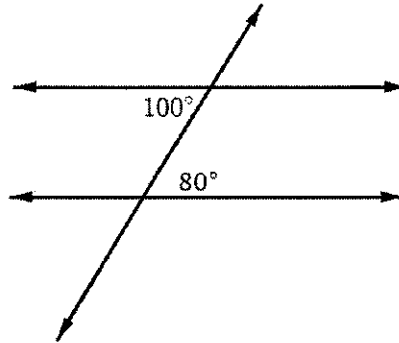
Name _____
Period _____ Date _____

In each example, determine if the lines are parallel or not parallel. **EXPLAIN.**

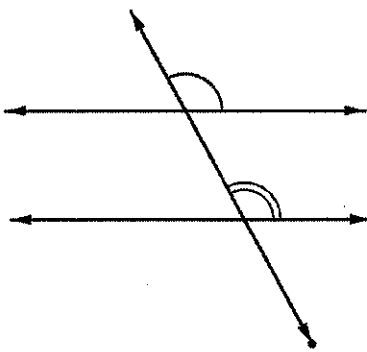
1.



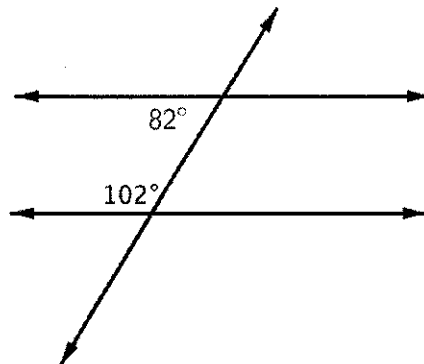
2.



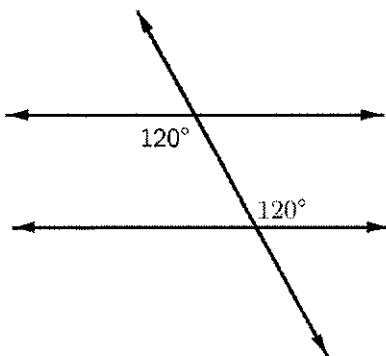
3.



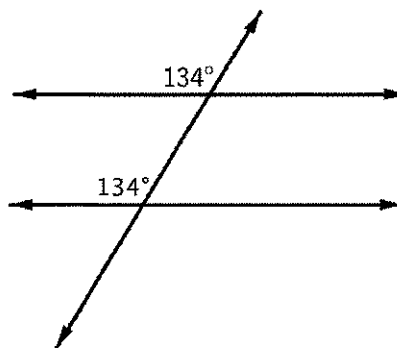
4.



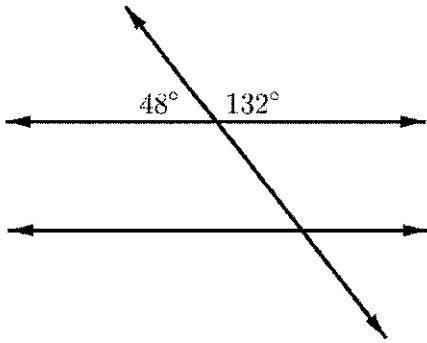
5.



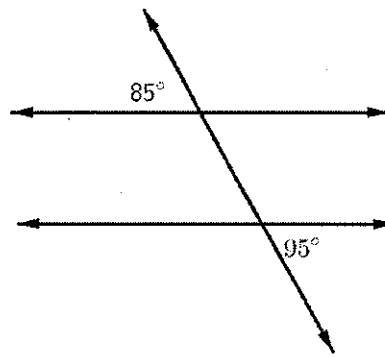
6.



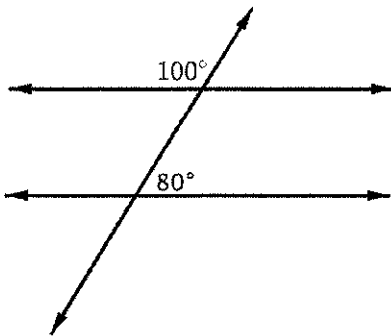
7.



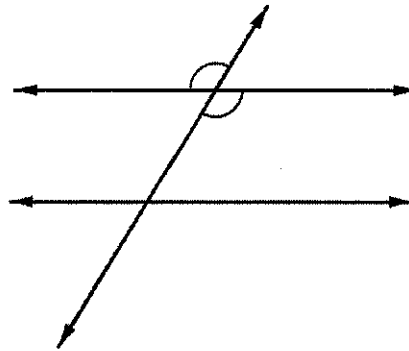
8.



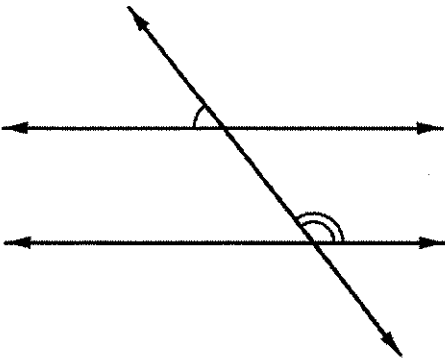
9.



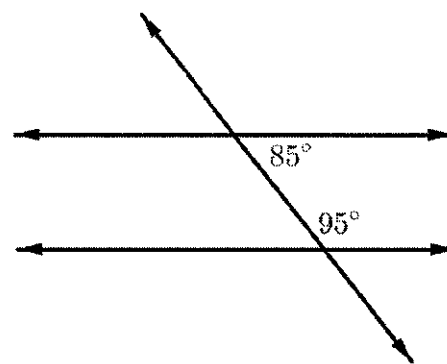
10.



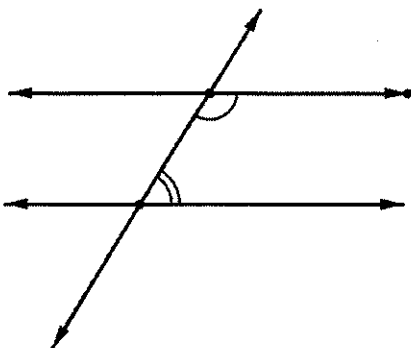
11.



12.



13.



14. Given $\angle 1 \cong \angle 2$, is $\overline{AB} \parallel \overline{CD}$? Why or why not?

