

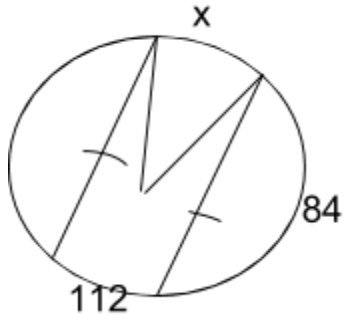
Name:

Date:

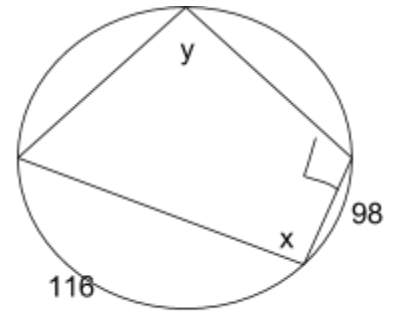
Is skilled at describing relationships among inscribed angles, tangent segments, radii, chords, arc lengths, and areas of sectors of circles.

Circles Quiz 3A

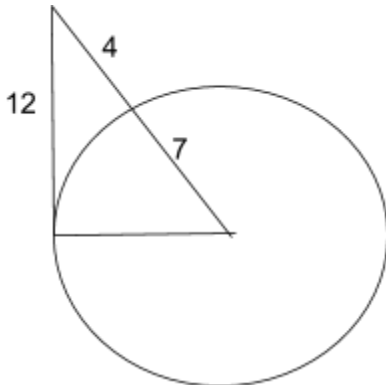
1) Solve for the missing variable.



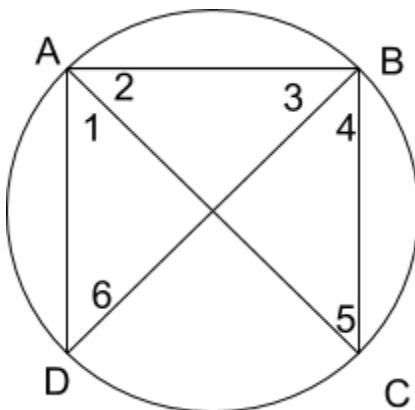
2) Solve for the missing variable.



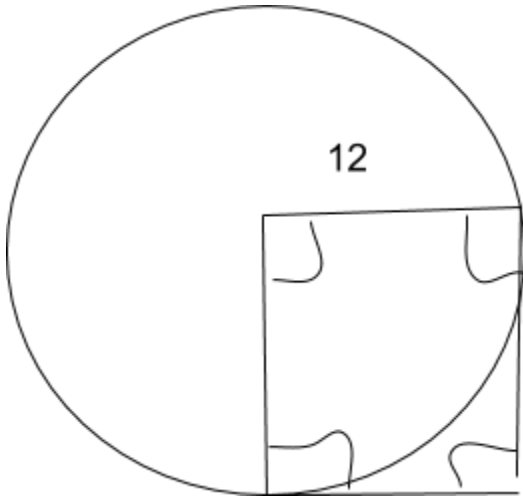
3) Determine if line AB is tangent to the circle.



4) Arc AB = 34, Arc BC = 78, Arc AD = 138. Find all of the angles.



5) Find x . Assume that segments that appear to be tangents are tangent.



6) Find the area of the sector if $r = 33$ inches, central angle 38 degrees.

7) Find the length of arc CD.

